

VIDEOWALL  
PUBLIC INFORMATION

SEAM LESS/size 42"  
NARROW BEZEL/size 40"  
ULTRA NARROW BEZEL / size 46"



INFINITE SOLUTIONS FOR VISUAL COMMUNICATION

INFINITE SOLUTIONS FOR VISUAL COMMUNICATION

VIDEOWALL

LARGE DIGITAL VIDEO WALLS

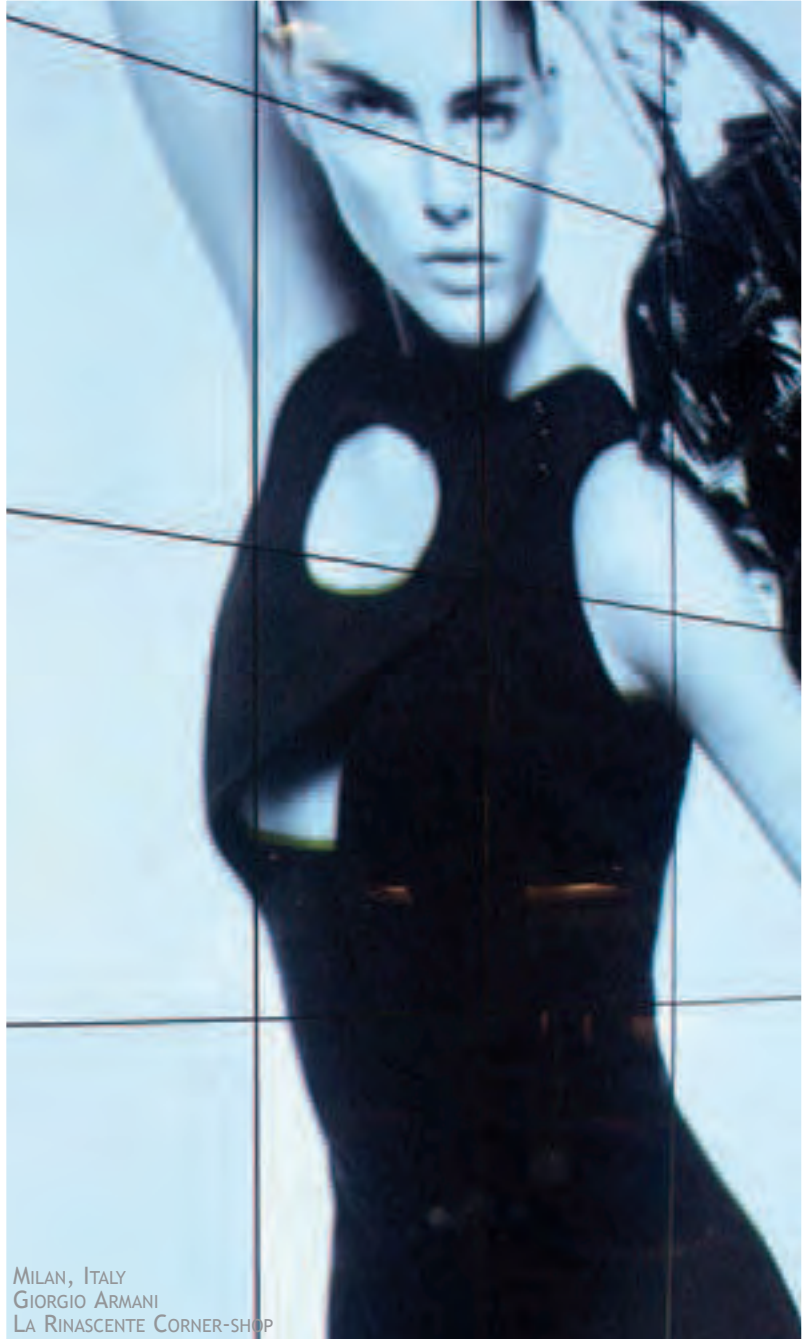
# FOR

- publicity
- entertainment
- public information

# IN

- Malls
- Fairs and congress halls
- Airports and train stations
- Subway stations
- Museums
- Public areas

THE PERFECT WAY  
TO CAPTURE  
EVERYONE'S ATTENTION.



MILAN, ITALY  
GIORGIO ARMANI  
LA RINASCENTE CORNER-SHOP

INDOOR Solutions

SEAM LESS/size 42"  
NARROW BEZEL/size 40"  
ULTRA NARROW BEZEL/size 46"



HANTAREX PRODUCES SOPHISTICATED TECHNOLOGY TO CREATE VIDEO WALLS THAT ARE IDEAL FOR ANY APPLICATION.

HANTAREX has developed and engineered sophisticated technology for modular monitors for digital video walls.

This technology fulfils any possible need in the market, using large format video images, messages, publicity and information as the principle tool and fundamental method of communication with the public.

To satisfy all the needs, HANTAREX offers a range of products with the maximum brightness, the smallest depths, without borders caused by frame joints and without any reflection from external light sources.

HANTAREX presently offers two different types of modules for video walls:

- PD 42 SL, a module for video walls with plasma monitors without gaps, Seamless (less than 2.2 mm)
- LCD 40 NB SR, a module for video walls with LCD monitors with narrow gaps, Narrow Bezel (less than 15 mm)
- LCD 46 UNB, a module for video walls with LCD monitors with narrow gaps, Ultra Narrow Bezel (less than 3 mm)

**FOR** AIRPORTS  
RAILWAYS  
MALLS  
BIG VENUES



AIRPORTS  
RAILWAYS  
MALLS  
BIG VENUES



HANTAREX offers three different types of modules for video walls:

- PD 42 SL, a module for video walls with plasma monitors without gaps, Seamless.
- LCD 40 NB SR, a module for video walls with LCD HD ready monitors with narrow gaps, Narrow Bezel with a 15 mm frame.
- LCD 46 UNB SR, a module for video walls with LCD Full HD monitors with extremely narrow gaps, Ultra Narrow Bezel with a 0.3 mm frame.



2.2 mm

**PD 42" PLASMA SEAM LESS**

SCREEN SIZE 42"  
 PEAK BRIGHTNESS 1,000 cd/m<sup>2</sup> PLUS  
 CONTRAST RATIO 10,000:1  
 RESOLUTION 853x480  
 SEAM GAP 2.2 mm



15 mm

**LCD 40" NARROW BEZEL**

SCREEN SIZE 40"  
 PEAK BRIGHTNESS 700 cd/m<sup>2</sup> PLUS  
 CONTRAST RATIO 2,000:1  
 RESOLUTION 1920x1080  
 SEAM GAP 15 mm



3 mm

**LCD 46" ULTRA NARROW BEZEL**

SCREEN SIZE 46"  
 PEAK BRIGHTNESS 700 cd/m<sup>2</sup> PLUS  
 CONTRAST RATIO 3,000:1  
 RESOLUTION 1366x768  
 SEAM GAP 3 mm

**INDOOR Solutions**

SEAM LESS/size 42"  
 NARROW BEZEL/size 40"  
 ULTRA NARROW BEZEL/size 46"

VIDEOWALL



SOVICO (MI), ITALY - REGGIANI ILLUMINAZIONE S.p.A.

# 42" PLASMA SEAM LESS MODULES

HANTAREX has developed a professional product for video wall applications with special 42" plasma monitors, which have virtually no gap between the image of one monitor and the next.

The gap between the modules is only 1.5 mm.

Each PD42 Video Wall Seamless module is made up of a single 42" plasma monitor and made with the latest '4side DZF', 'Dead Zone Free', technology.

This technology fundamentally illuminates the entire screen, including the far edges of the monitor, which means that the image occupies the whole screen; therefore, there is virtually no gap, only 2.2 mm, between the image of one monitor and the next.

This extremely small gap is possible thanks to Seamless technology that takes total advantage of to the monitor's entire surface.

An optional metal structure is available making it possible to disassemble each module simply and intuitively without compromising the performance or position of adjacent monitors.

## MAIN CHARACTERISTICS

- Internal Image Splitting: image management with an internal splitter for a video wall with up to a 5 x 5 configuration
- Video walls can be configured in different and innovative shapes such as banners, panorama, towers, portrait, 4/3, 16/9, etc.
- Easy installation, access and a possible in-situ replacement for any active component of the monitor, without having to remove the module from the wall.
- Infinitely expandable modules
- Very low power consumption
- Invisible borders
- Very narrow depth (9 cm)

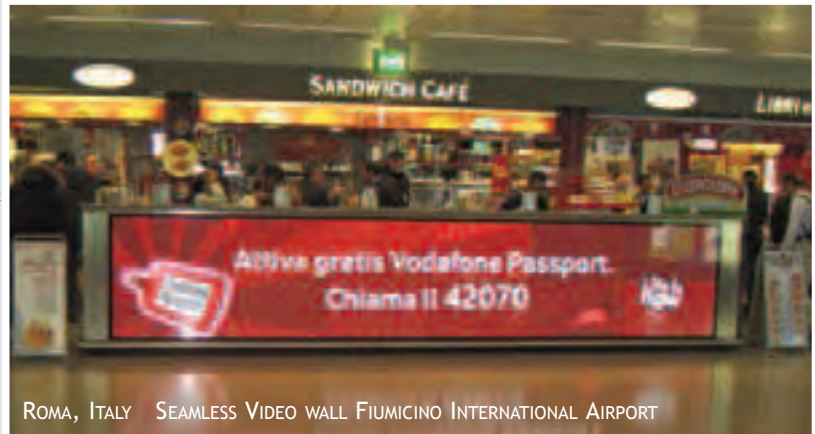
## TO SUMMARIZE

The PD42 SL allows you to set up video walls virtually without any borders, with only 2.2 mm of gap between monitors.

PD42 SL allows you to build video walls that can be infinitely expanded, the number of monitors that can be placed one next to another vertically and horizontally is unlimited.

A maximum configuration of 9 horizontal modules by 9 vertical modules can be assembled using only the special internal device software, which is managed by a simple PC.

This software allows you to break down and distribute the signals to the monitors.



ROMA, ITALY SEAMLESS VIDEO WALL FIUMICINO INTERNATIONAL AIRPORT



MILAN, ITALY, SEAMLESS VIDEOWALL AT PINKO FLAGSHIP STORE

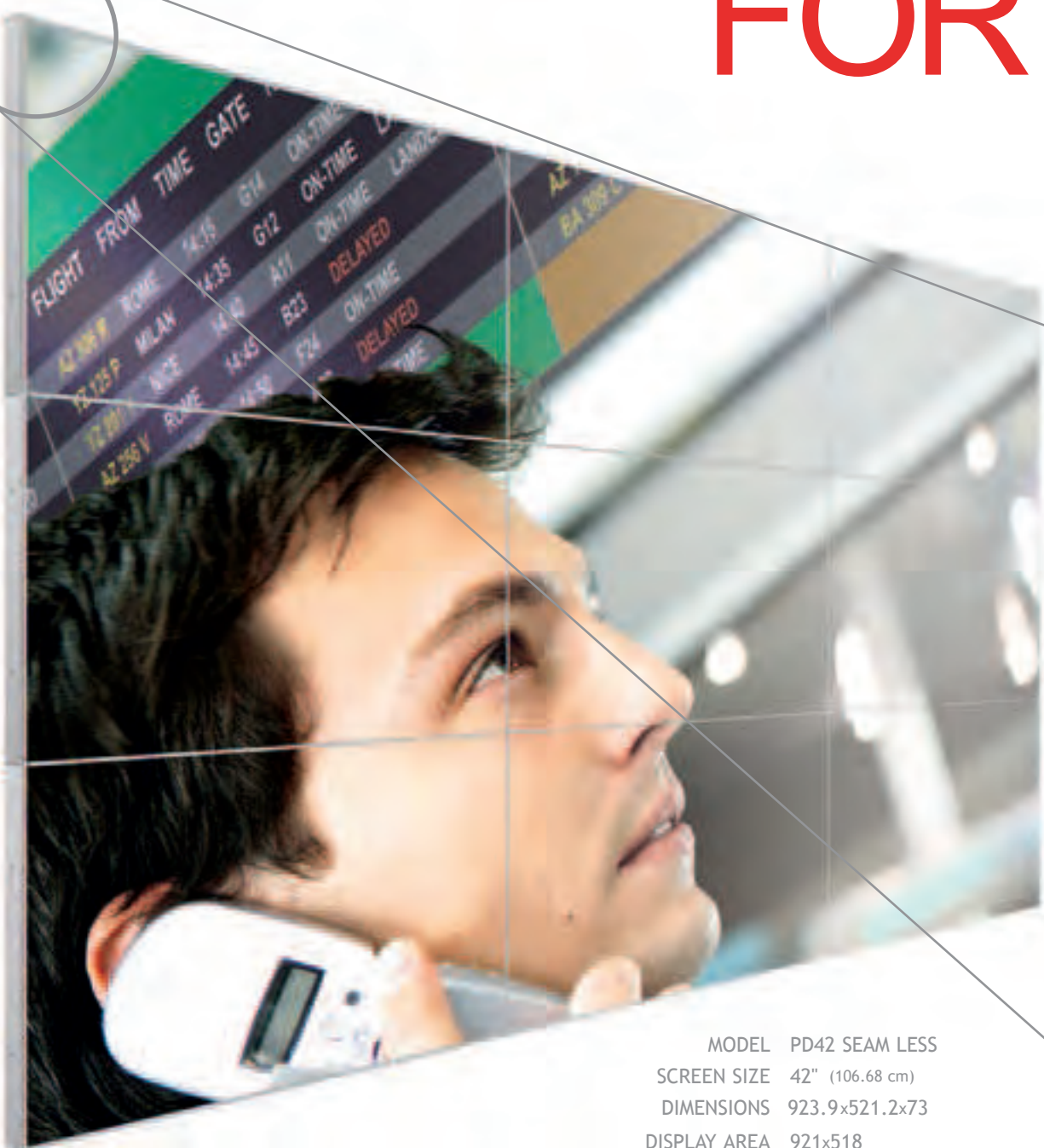
DIGITAL SIGNAGE ON BIG DISPLAY

VIDEOWALL

INDOOR Solutions



# FOR



MODEL	PD42 SEAM LESS
SCREEN SIZE	42" (106.68 cm)
DIMENSIONS	923.9x521.2x73
DISPLAY AREA	921x518
N° OF PIXELS	853x480
COLORS	16.7 MILLION
PEAK BRIGHTNESS	1,700 cd/m <sup>2</sup> PLUS
CONTRAST RATIO	30,000:1
WEIGHT	27 KG
SEAM GAP	2.2 mm /standard version

42" PLASMA SEAM LESS  
MODULES

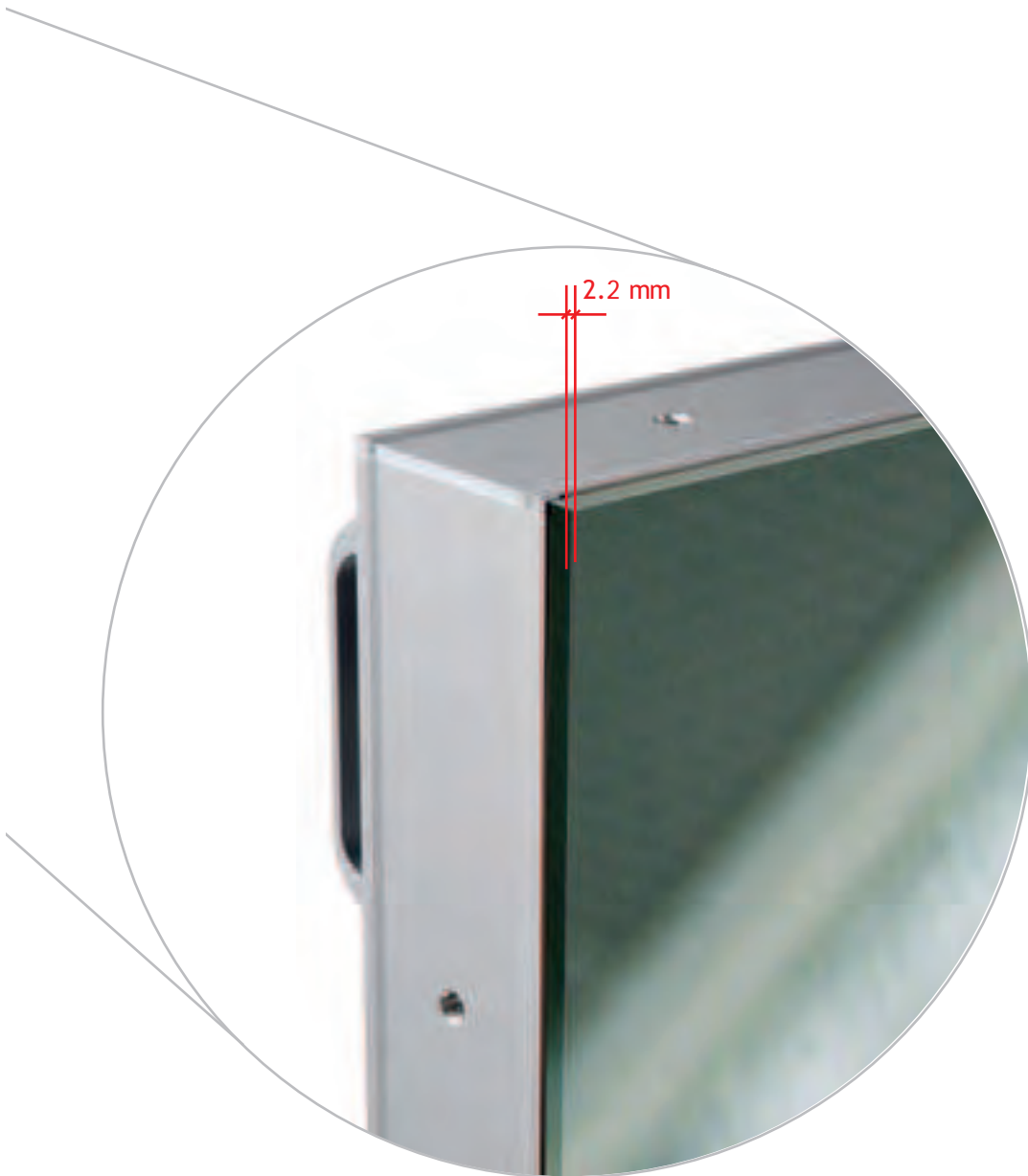
ANGLE OF VIEW H:178° V:178°



42" PLASMA SEAM LESS  
MODULES



AIRPORTS  
RAILWAYS  
MALLS  
BIG VENUES



PD 42" SEAM LESS **TECHNICAL DATA**

**HIGHLIGHTS**

- the modules can be infinitely expanded
- the modules consume very little energy
- the borders between the panels are invisible
- the image covers the entire surface of the monitor
- in-situ installation is very simple
- the depth is very small, the design is subtle and modern

**TAKE MAXIMUM ADVANTAGE OF PUBLICITY, THANKS TO THE "CRYSTAL-CLEAR" APPLICATION**

The HANTAREX PD42 SL combines high resolution with vivid images, ideal for publicity applications.

The advance of technology has made innovative and competitive solutions possible also in the large screen market.

Finally, plasma monitors can be used also for POS, POI, information boards and IR applications.

**'DZF' TECHNOLOGY MEANS VIDEO WALLS CAN BE SET UP WITHOUT BORDERS.**

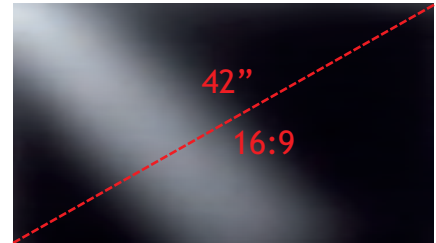
PD42 SL, made with the latest "4 side DZF", Dead Zone Free, technology illuminates the entire surface of the monitor.

The uniformity and continuity of the image on the screens mean that there is almost no gap between adjacent monitors.

Normal monitors have a gap of 60 mm; the gap between our monitors is only 5 mm.

The borderless structure, called 4-sides glass, allows you to take advantage of the complete surface of the monitor, which reduces the gap between adjacent panels to the thickness of the glass.

**Front**



**Back**

**PRODUCT NAME:**

**PD 42" SEAMLESS 4230**

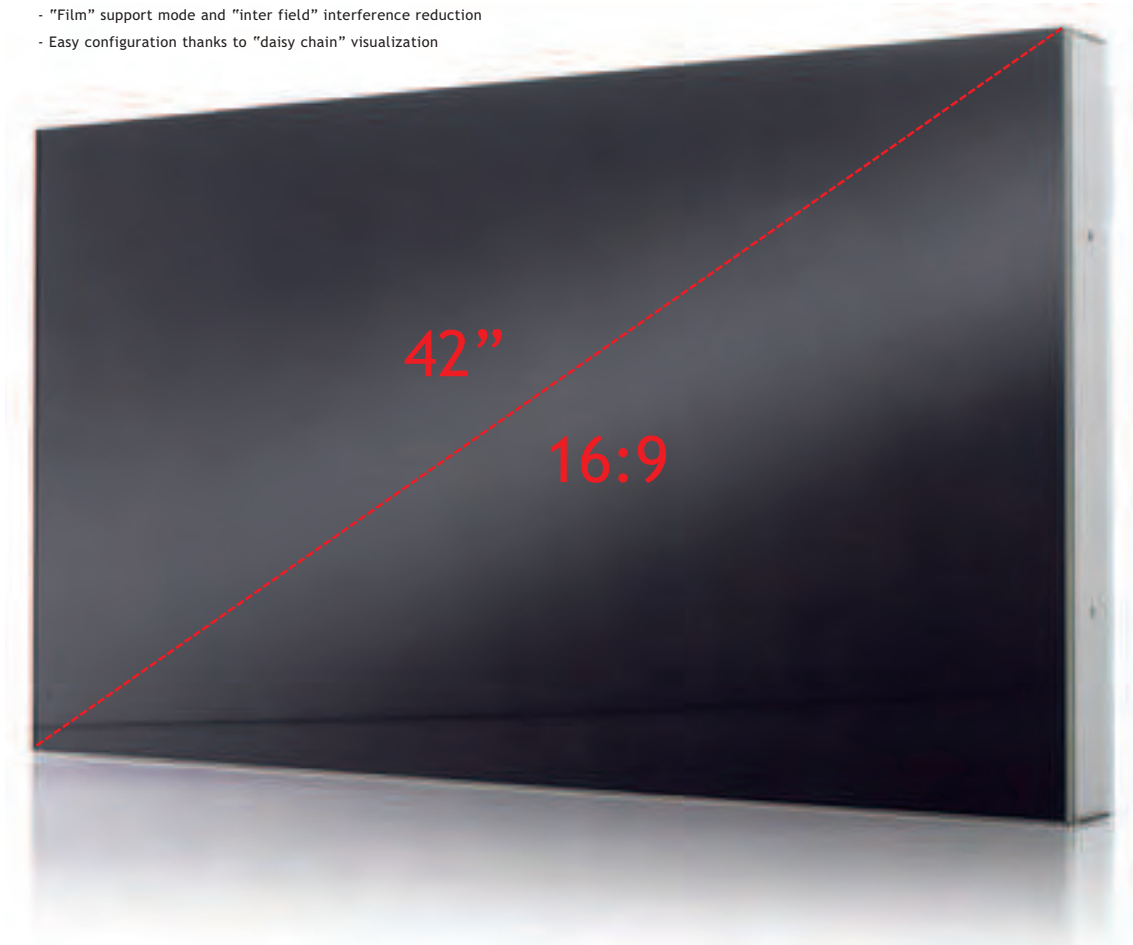
**PD 42" SEAMLESS 4230R**

	PD 42" SEAMLESS 4230	PD 42" SEAMLESS 4230R
<b>DISPLAY PANEL</b>	<p><b>Screen size:</b> 42" (106,68 cm)  <b>Aspect Ratio:</b> 16:9  <b>Resolution:</b> 853 (H) x 480 (V) pixels  <b>Pixel pitch:</b> 1.08 [mm]  <b>Useful screen:</b> 924,6 (H) x 521,8 (V) [mm]  <b>Brightness:</b> 1000 cd/m2 (typical)  <b>Contrast ratio:</b> 10000: 1 (typical)  <b>Viewing angle:</b> 178° (in all directions)  <b>Colors:</b> 16.7 Mil  <b>Seam gap:</b> 2 [mm]  <b>Surface treatment:</b> Anti glare Anti reflection (AGAR)</p>	<p><b>Screen size:</b> 42" (106,68 cm)  <b>Aspect Ratio:</b> 16:9  <b>Resolution:</b> 853 (H) x 480 (V) pixels  <b>Pixel pitch:</b> 1.08 [mm]  <b>Useful screen:</b> 926,2 (H) x 523,6 (V) [mm]  <b>Brightness:</b> 1000 cd/m2 (typical)  <b>Contrast ratio:</b> 10000: 1 (typical)  <b>Viewing angle:</b> 178° (in all directions)  <b>Colors:</b> 16.7 Mil  <b>Seam gap:</b> 2 [mm]  <b>Surface treatment:</b> Anti glare Anti reflection (AGAR)</p>
<b>CONNECTIONS</b>	<p><b>Video:</b> 1 x BNC [CVBS, input] 1 x BNC [CVBS, output] 1 x mini DIN 4 pin [Y/C, input] 1 x mini DIN 4 pin [Y/C, output]  <b>PC:</b> 1 x Dsub-15 HD [Analog RGB, input] 1 x Dsub-15 HD [Analog RGB, output] 1 x DVI-D [Digital RGB, input] 1 x DVI-D [Digital RGB, output]  <b>Component:</b> 3 x BNC [Y, Pb, Pr input] 3 x BNC [Y, Pb, Pr output]  <b>Audio:</b> -  <b>Control:</b> 1 x Dsub-9 female [input] 1 x Dsub-9 male [output]</p>	<p><b>Video:</b> 1 x BNC [CVBS, input] 1 x BNC [CVBS, output] 1 x mini DIN 4 pin [Y/C, input] 1 x mini DIN 4 pin [Y/C, output]  <b>PC:</b> 1 x Dsub-15 HD [Analog RGB, input] 1 x Dsub-15 HD [Analog RGB, output] 1 x DVI-D [Digital RGB, input] 1 x DVI-D [Digital RGB, output]  <b>Component:</b> 3 x BNC [Y, Pb, Pr input] 3 x BNC [Y, Pb, Pr output]  <b>Audio:</b> -  <b>Control:</b> 1 x Dsub-9 female [input] 1 x Dsub-9 male [output]</p>
<b>FEATURES</b>	<p><b>Video compatibility:</b> PAL (BGH/D/I, M, N, 60), NTSC (M, 4.43), SECAM DTV (480i/p - 576i - 720p - 1080i)  <b>Video signal level:</b> CVBS: 1 Vpp / 75 Ohm - nominal (with AGC) Y/C: 1 Vpp / 75 Ohm - nominal (with AGC)  <b>PC compatibility:</b> VGA ~ UXGA (1600x1200), NATIVE (853x488) Automatic frequency detection  <b>PC signal level:</b> RGB: 0.7 Vpp / 75 Ohm (RGB), TTL (HV) 1 x DVI-D [Digital RGB, input only]  <b>Frequency range:</b> Horizontal: 31,47 KHz ~ 75,00 KHz Vertical: 56 Hz - 85 Hz  <b>Speakers:</b> -  <b>Control interfaces:</b> RS-232 Serial Port  <b>Others:</b> B.I.C.(Burn-In Compensation) On/Off</p>	<p><b>Video compatibility:</b> PAL (BGH/D/I, M, N, 60), NTSC (M, 4.43), SECAM DTV (480i/p - 576i - 720p - 1080i)  <b>Video signal level:</b> CVBS: 1 Vpp / 75 Ohm - nominal (with AGC) Y/C: 1 Vpp / 75 Ohm - nominal (with AGC)  <b>PC compatibility:</b> VGA ~ UXGA (1600x1200), NATIVE (853x488) Automatic frequency detection  <b>PC signal level:</b> RGB: 0.7 Vpp / 75 Ohm (RGB), TTL (HV) 1 x DVI-D [Digital RGB, input only]  <b>Frequency range:</b> Horizontal: 31,47 KHz ~ 75,00 KHz Vertical: 56 Hz - 85 Hz  <b>Speakers:</b> -  <b>Control interfaces:</b> RS-232 Serial Port  <b>Others:</b> B.I.C.(Burn-In Compensation) On/Off</p>
<b>CONTROLS</b>	<p><b>Video:</b> Brightness, Contrast, Color, Sharpness, Tint Source selection Auto/manual tracking  <b>Geometry:</b> Integrated multi-splitter (up to 25 modules) Display address selection (dip switch)  <b>Audio:</b> -  <b>Others:</b> White calibration Slide control Integrated test pattern On/Off Timer Auto power on with status memory B.I.C.(Burn-In Compensation) On/Off RS232 protocol</p>	<p><b>Video:</b> Brightness, Contrast, Color, Sharpness, Tint Source selection Auto/manual tracking  <b>Geometry:</b> Integrated multi-splitter (up to 25 modules) Display address selection (dip switch)  <b>Audio:</b> -  <b>Others:</b> White calibration Slide control Integrated test pattern On/Off Timer Auto power on with status memory B.I.C.(Burn-In Compensation) On/Off RS232 protocol</p>
<b>PHYSICAL</b>	<p><b>Dimensions:</b> 924,6 (W) x 521,8 (H) x 76,5 (D)  <b>Weight:</b> 27 Kg  <b>Mains voltage:</b> 100/240 VAC ± 15%, 50/60 Hz  <b>Power consumption:</b> 300 W  <b>Operating conditions:</b> Storage: -20°C to 65°C (max 85% RH not condensing) Working: 0°C to 35°C (max 85% RH not condensing)  <b>Class protection:</b> IP20</p>	<p><b>Dimensions:</b> 926,2 (W) x 523,6 (H) x 76,5 (D)  <b>Weight:</b> 27 Kg  <b>Mains voltage:</b> 100/240 VAC ± 15%, 50/60 Hz  <b>Power consumption:</b> 300 W  <b>Operating conditions:</b> Storage: -20°C to 65°C (max 85% RH not condensing) Working: 0°C to 35°C (max 85% RH not condensing)  <b>Class protection:</b> IP20</p>
<b>ACCESSORIES</b>	<p>Power cable User's manual Multi - Screen Control software Guide Pin VGA cable RS232 cable</p>	<p>Power cable User's manual Multi - Screen Control software Guide Pin VGA cable RS232 cable</p>

## 42" PLASMA SEAM LESS MODULES

VIDEOWALL

- Advanced Digital Circuit
- Exclusive internal digital processor (SPLITTER)
- Wide range of input signals: Video, S-Video, PC, and DVI Component, all with Loop-Through functionality
- Simple and quick control with a RS-232C serial until a resolution of UXGA
- Simple management thanks to the MSCS control system
- Automatic standard selection, NTSC, PAL, SECAM
- Notable image quality
- 3-D comb filter (Y/C separation) for the NTSC standard
- "Motion adaptive 3-D" de-interlacer
- Uniform image quality also on the borders
- "Film" support mode and "inter field" interference reduction
- Easy configuration thanks to "daisy chain" visualization



### 3D Y/C DIGITAL COMB FILTER

The 3D Y/C Digital Comb Filter allows you to compare the image field on the display to accurately separate colors from black and white information.

The filter removes the "dot crawling" effect, drastically reducing the effect horizontally and vertically.

### MOVING IMAGE OPTIMIZED

The PD42 SL modules are able to display uniform images with very natural effects and moving images with excellent detail made possible by the extreme precision of the "False-Edge Predictor circuit".

This circuit identifies the areas where moving images undergo deformation and automatically reduce the problem.

### DIMENSIONAL 3D PROGRESSIVE SCAN

This functionality is able to change the de-interlacer signal, used in broadcasts, automatically to the Progressive Scan signal drastically improving the typical "dot matrix" system of plasma monitors.

The 3D Progressive Scan system extracts the interpolate pixels and deduces the highest correlation between the pixel data and a total of four lines of information of the image on three fields, the present field and those before and after.

This function reduces blur, which is common in systems that use plasma monitors.

VIDEO WALLS CAN BECOME VERY LARGE, THANKS TO THE MODULAR SYSTEM, MAINTAINING  
**HANTAREX'S VERY HIGH IMAGE QUALITY**





SHANGAJI, CHINA - WORLD WIDE EXPO



MILAN, ITALY - FASHION DESIGN STORE

INDOOR

HANTAREX has developed two professional product for video wall applications developed in 40" and 46" TFT LCD formats with special characteristics such as narrow gaps between monitors. The gaps are 15 mm for the 40" Narrow Bezel and 3 mm for the 46" Ultra Narrow Bezel.

Thanks to a brightness of 700 cd/mq and the almost complete lack of reflection of light from external sources, this product is also ideal for permanent applications in public places, which are often subject to direct light whether natural or artificial such as malls, financial centers, banks, stock exchange, congress halls, airports, train stations or temporary applications such as fairs, and indoor events. Large displays with high definition that require clear messages and information, like all Digital Signage applications, can take advantage of this monitor's characteristics.

The LCD 40" NB and 46" UNB monitors are monitors for video wall applications that offer valid solutions with virtually no gaps.

These monitors have a minimum gap of less than 6 and 15 mm means the gap between modules is one of the smallest imaginable. This gap, even if it is visible, is so small that the entire video wall image is not disturbed.

## PRINCIPAL CHARACTERISTICS

- Internal Image Splitting: Internal Image Splitting: image management with an internal splitter for a video wall with up to a 5 x 5 configuration
- Video walls can be configured in different and innovative shapes such as banners, panorama, towers, portrait, 4/3, 16/9, etc.
- Easy installation, access and a possible in-situ replacement for any active component of the monitor, without having to remove the module from the wall
- Infinitely expandable modules
- Very low power consumption
- Invisible borders
- Very narrow depth (9 cm)

## TO SUMMARIZE

The sturdy aluminum structure that makes the external body of the module allows easy and quick installation thanks also to the four anchoring hole, and easy maintenance of the video wall itself, guaranteeing durability and resistance.

This module is also IP 30 compliant, which means the resistance parameters conform to those for public use. All the electronic and functional parameters and software can be controlled with a simple RS232 serial interface and a Loop Through remote control.

The personalization of the software and some of the hardware is possible upon request based on the specifications of the customer.

The SUN-Readability characteristics are only for FID and PID, Flights and Public Information Display, applications, where data must be readable in extremely bright light, viewed at an angle of more than 180° both vertically and horizontally, have a high contrast ration, 3.000:1, and a brightness of 700 cd/mq and a 1366x768 resolution for the 46", and a 1920x1080 resolution for the 40".

# 40" LCD NARROW BEZEL MODULES

# 46" LCD ULTRA NARROW BEZEL



The sturdy aluminum structure that makes up the external body of the module allows easy and quick installation, thanks to four anchoring holes, and easy maintenance of the video wall itself.

VIDEOWALL

## INDOOR Solutions



# FOR



## 40" LCD NARROW BEZEL MODULES

MODEL	LCD 40 NB SR
SCREEN SIZE	40" (101,50 cm)
DIMENSIONS	915x530x117
ASPECT RATIO	16:9
N° OF PIXELS	1920x1080
COLORS	16.7 MILION
PEAK BRIGHTNESS	700 cd/m <sup>2</sup> PLUS
CONTRAST RATIO	2,000:1
WEIGHT	17.5 KG
SEAM GAP	15 mm per side
VIDEOWALL	MULTI SCREEN



# 40" LCD NARROW BEZEL

MODULES

AIRPORTS  
RAILWAYS  
MALLS  
BIG VENUES

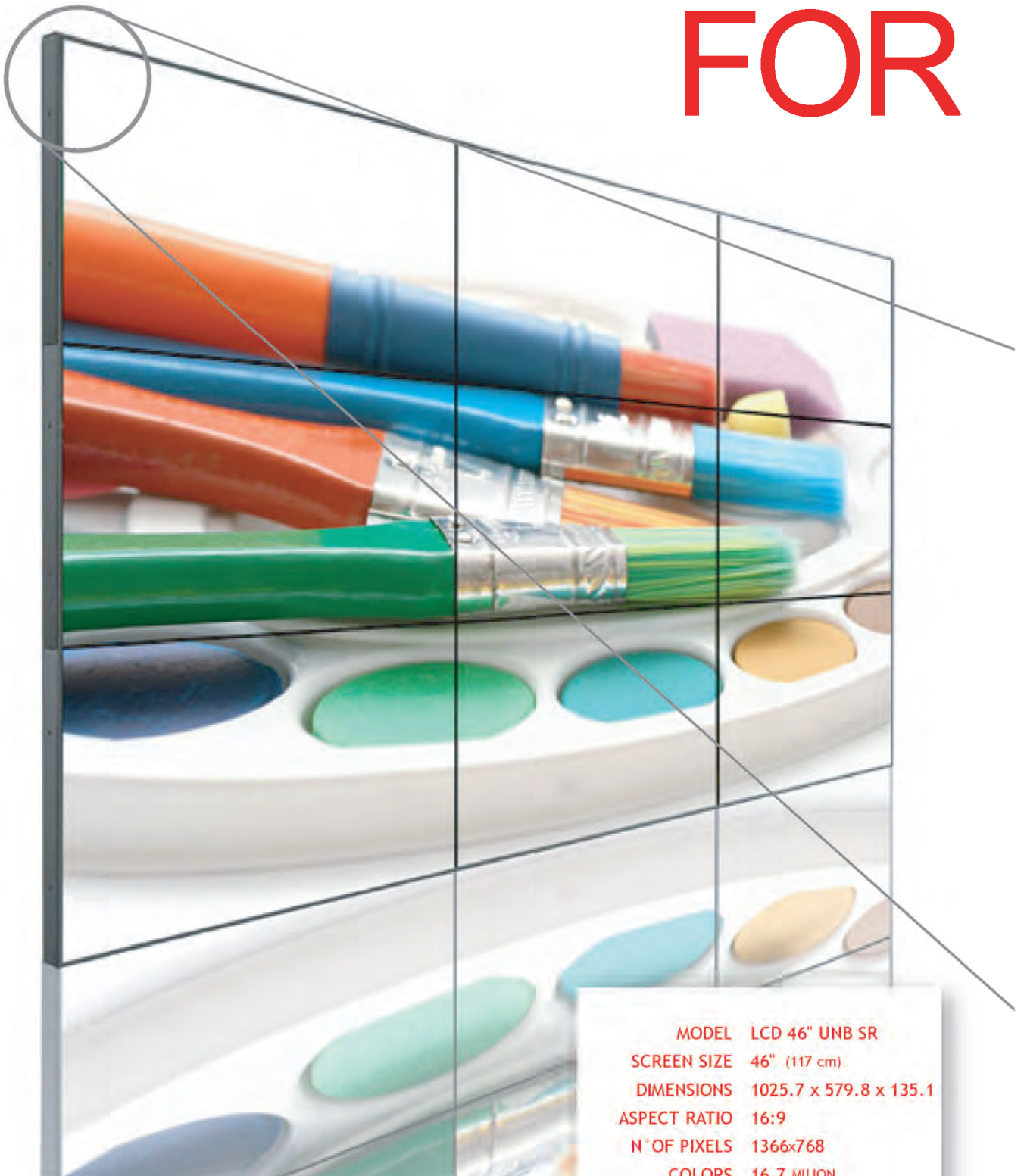




Shangaji - Cina - World Wide International Expò



# FOR



## 46" LCD Ultra NARROW BEZEL MODULES

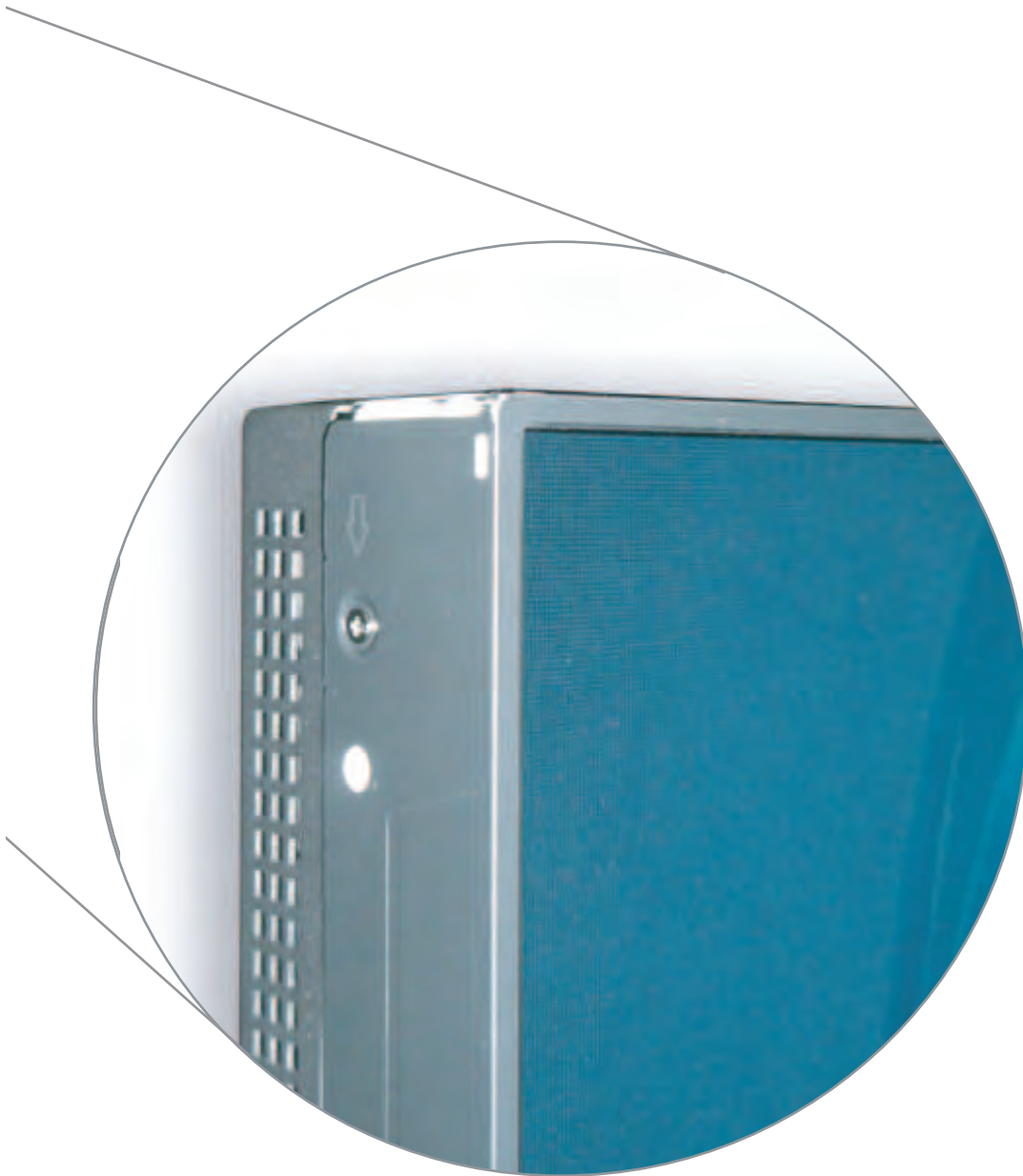
MODEL	LCD 46" UNB SR
SCREEN SIZE	46" (117 cm)
DIMENSIONS	1025.7 x 579.8 x 135.1
ASPECT RATIO	16:9
N° OF PIXELS	1366x768
COLORS	16.7 MILION
PEAK BRIGHTNESS	700 cd/m <sup>2</sup> PLUS
CONTRAST RATIO	3,000:1
WEIGHT	19 KG
SEAM GAP	3 mm per side
VIDEOWALL	MULTI SCREEN



# 46" LCD Ultra NARROW BEZEL MODULES

VIDEOWALL

AIRPORTS  
RAILWAYS  
MALLS  
BIG VENUES



LCD NARROW BEZEL & Ultra NARROW BEZEL **TECHNICAL DATA**

PRODUCT NAME:		LCD 40" Narrow Bezel	LCD 46" Ultra Narrow Bezel	
DISPLAY PANEL	Screen size	40" (1016 cm)	46" (117 cm) diagonal	
	Aspect Ratio	16:9	16:9	
CONNECTIONS	Resolution:	1920 (H) x 1080 (V) pixels	1366 (H) x 768 (V) pixels	
	Pixel pitch	0.648 (H) x 0.216 (V) [mm]	0.745 (H) x 0.745 (V) [mm]	
	Useful screen	885 (H) x 497 (V) [mm]	1018 (H) x 572 (V) [mm]	
	Brightness:	700 cd/m2 (typical)	700 cd/m2 (typical)	
	Contrast ratio	2,000: 1 (typical)	3,000: 1 (typical)	
	Viewing angle	178° (in all directions)	178° (in all directions)	
	Colors:	16.7 Mil	16.7 Mil	
	Response time	8 mSec	8 mSec	
	FEATURES	Video compatibility:	PAL (BGH/D/I, M, N, 60), NTSC (M, 4.43), SECAM HDMI [supporting CEA-861B specs. HDCP 1.1]	PAL (BGH/D/I, M, N, 60), NTSC (M, 4.43), SECAM HDMI [supporting CEA-861B specs. HDCP 1.1]
		DTV:	480i/p, 576i/p, 720p, 1080i / 50-60 Hz, 1080p / 60 Hz	480i/p, 576i/p, 720p, 1080i / 50-60 Hz, 1080p / 60 Hz
Video signal level:		CVBS: 1 Vpp / 75 Ohm - nominal (with AGC) Y/C: 1 Vpp / 75 Ohm - nominal (with AGC) Y,Pb,Pr, 1Vpp / 75 ohm nominal	CVBS: 1 Vpp / 75 Ohm - nominal (with AGC) Y/C: 1 Vpp / 75 Ohm - nominal (with AGC) Y,Pb,Pr, 1Vpp / 75 ohm nominal	
PC compatibility:		VGA ~ WUXGA (1920x1080), NATIVE (1366x768) Automatic frequency detection	VGA ~ WUXGA (1920x1080), NATIVE (1366x768) Automatic frequency detection	
PC signal level:		RGB: 0.7 Vpp / 75 Ohm (RGB), TTL (HV) 1 x DVI-D [Digital RGB, input only]	RGB: 0.7 Vpp / 75 Ohm (RGB), TTL (HV) 1 x DVI-D [Digital RGB, input only]	
Frequency range:		Horizontal: 20 KHz - 82 KHz Vertical: 55 Hz - 90 Hz	Horizontal: 20 KHz - 82 KHz Vertical: 55 Hz - 90 Hz	
Audio signal level:		Audio Input: 0.15 to 1 V Audio Output: 2 x 7W (10% THD)	Audio Input: 0.15 to 1 V Audio Output: 2 x 7W (10% THD)	
Splitter Control interfaces:		Embedded splitter up to 5x5 with bezel compensation Infrared Remote Control (external) RS-232 Serial Port Commands and controls are available from any of user's interfaces	Embedded splitter up to 5x5 with bezel compensation Infrared Remote Control (external) RS-232 Serial Port Commands and controls are available from any of user's interfaces	
Loophthrough unit:		Remote Control are OSD assisted RS-232 pass-through VGA pass-through	Remote Control are OSD assisted RS-232 pass-through VGA pass-through	
CONTROLS		Video:	All inputs converted to DVI and retransmitted Mode (4 selections + user) Brightness, Contrast, Color, Sharpness Colour temperature (5 selections + user) Still frame	All inputs converted to DVI and retransmitted Mode (4 selections + user) Brightness, Contrast, Color, Sharpness Colour temperature (5 selections + user) Still frame
	Size Video	Source selection	Source selection	
	Size Graphics	(16:9, 14:9, 4:3, Panoramic, Zoom1, Zoom2)	(16:9, 14:9, 4:3, Panoramic, Zoom1, Zoom2)	
	Geometry:	(16:9, 1:1, 4:3)	(16:9, 1:1, 4:3)	
	Audio:	Self adjustment of picture dimension Free adjustment of picture position Mode (4 selections + user) Volume, Balance Equalizer (5 bands) Stereo / Dual1 / Dual2 Automatic Volume Control	Self adjustment of picture dimension Free adjustment of picture position Mode (4 selections + user) Volume, Balance Equalizer (5 bands) Stereo / Dual1 / Dual2 Automatic Volume Control	
	Others:	Stand-by mode Status Indication Programmable OSD aspect Screensaver (blue screen, pixel shift, wiper, gray background) Fan automatic manage/cooling Resize/Shift Multi Screen Function (up to 5x5) External IR sensor with USB connection Timer (time, wake-up, sleep) Display address selection DPMS Auto Input Search	Stand-by mode Status Indication Programmable OSD aspect Screensaver (blue screen, pixel shift, wiper, gray background) Fan automatic manage/cooling Resize/Shift Multi Screen Function (up to 5x5) External IR sensor with USB connection Timer (time, wake-up, sleep) Display address selection DPMS Auto Input Search	
	O.S.D. Language :	D, E, F, GB, I, P	D, E, F, GB, I, P	
	PHYSICAL	Dimensions:	915 (W) x 530 (H) x 117 (D)	1025.7 (W) x 579.8 (H) x 135.1 (D)
		Gap:	30 mm (15mm / left + 15mm / right)	6 mm (4mm up / left + 2mm bottom / right)
		Weight:	17.5 Kg	19 Kg
ACCESSORIES	Mains voltage:	115/230 VAC ± 15%, 50/60 Hz	115/230 VAC ± 15%, 50/60 Hz	
	Power consumption:	200 W	200 W	
	Storage conditions:	Storage: -20°C to 65°C (max 85% RH not condensing) Working: 0°C to 50°C (max 85% RH not condensing) IP30	Storage: -20°C to 65°C (max 85% RH not condensing) Working: 0°C to 50°C (max 85% RH not condensing) IP30	
ACCESSORIES		Power cable DVI-D cable RS 232 cable Remote control with batteries External Infrared Sensor with USB connection User manual	Power cable DVI-D cable RS 232 cable Remote control with batteries External Infrared Sensor with USB connection User manual	

**HIGHLIGHTS**

LCD 46" NB/UNB can have on **special request** a patented **Easy-Sliding Rack PC** integrated in the back of the monitor that supplies Integrated System Solutions to the FID and PID applications.

The personalization of the software and some of the hardware is possible upon request based on the specifications of the customer.

The SUN-Readability characteristics are only for FID and PID, Flights and Public Information Display, applications, where data must be readable in extremely bright light, viewed at an angle of more than 180° both vertically and horizontally, have a high contrast ration, till 3.000:1, and a brightness of 700 cd/mq and a Full HD 1920 x 1080 resolution.



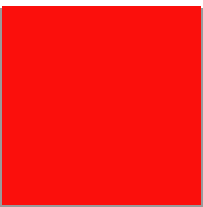
INFINITE SOLUTIONS FOR VISUAL COMMUNICATION





SOVICO (MI), ITALY - REGGIANI ILLUMINAZIONE S.P.A.





# SAMBERS

I T A L I A

**Headquarter:**

via Friuli 10/D

20046

Biassono (Mi)

tel. +39.039.2224.1

fax +39.039.2224.200

[www.hantarex.it](http://www.hantarex.it)

[info@hantarex.it](mailto:info@hantarex.it)



UNI EN ISO 9001:2000