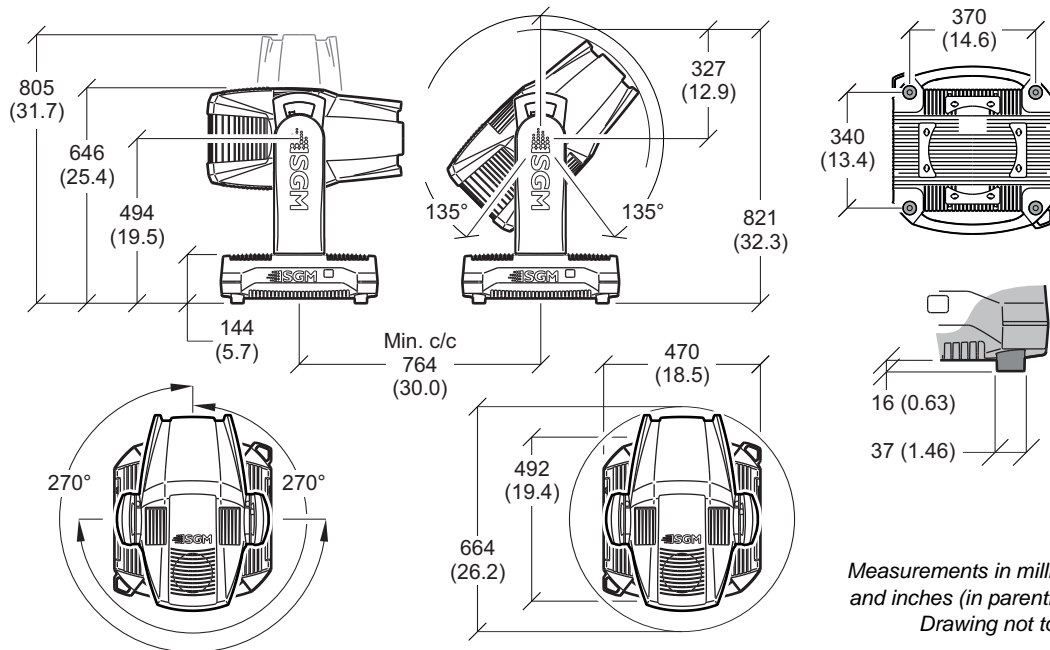




**G-SPOT
MOVING HEAD**



Dimensions



G-Spot Moving Head

Specifications			
Specifications	Optics	<p>Light Source</p> <p>LEDs expected lifetime</p> <p>Zoom range, 16 bit</p> <p>Focus</p> <p>Prism</p> <p>Frost</p>	<p>High power RGBY LED Light source</p> <p>50,000 hours*</p> <p>8° to 43° + pseudo zoom 1° to 43°</p> <p>Auto focus</p> <p>4-facet rotating prism</p> <p>Variable 0% - 100%</p>
	Photometric	<p>Total Output</p> <p>Color temperature range</p> <p>CRI at White 9000 Kelvin</p> <p>CRI at White 5000 Kelvin</p> <p>Efficacy</p>	<p>17,000 lumen</p> <p>2000K - 10000K</p> <p>≥85</p> <p>≥80</p> <p>15.5 lm/W</p>
	Gobos	<p>Outside diameter</p> <p>Maximum image diameter</p> <p>Maximum thickness</p> <p>Glass gobo</p> <p>Metal gobo</p>	<p>37,5 mm</p> <p>32 mm</p> <p>1.1 mm black&white or 3.5 mm colored glass</p> <p>Borosilicate high temperature glass</p> <p>Not recommended</p>
	Features	<p>Iris</p> <p>Dimming</p> <p>Strobe</p> <p>Pan/Tilt</p> <p>Gobo wheels</p> <p>Effect wheels</p>	<p>1-100%, Pulse effects</p> <p>Electronic</p> <p>Ultra-high-speed strobe effect (1-50Hz)</p> <p>540° / 270°</p> <p>2 independent rotatable gobo wheels:</p> <p>Gobo wheel 1: 5 indexable gobos + open</p> <p>Gobo wheel 2: 5 indexable gobos + open</p> <p>2 independent effect wheels with Semi-continuous effect</p>
	Electrical	<p>AC Power, nominal</p> <p>AC Power, max. Rating</p> <p>Power supply unit</p> <p>Main fuse</p> <p>Max. power consumption</p> <p>Standby power</p>	<p>200 - 240V 50/60 Hz</p> <p>190 - 264V 50/60 Hz</p> <p>Auto-ranging electronic switch-mode</p> <p>T12A-250V</p> <p>1100 W</p> <p>75 W</p>
	Programming and Control	<p>Protocol</p> <p>Setting and addressing</p> <p>Wireless DMX</p> <p>16-bit control</p> <p>Color temperature control</p> <p>DMX channels</p>	<p>USITT DMX512A</p> <p>Control panel, RDM or RFID</p> <p>LumenRadio with RDM</p> <p>Dimmer, Tilt and Pan</p> <p>Linear CTO/CTB</p> <p>24/30</p>
	Physical	<p>Dimensions</p> <p>Weight</p> <p>Material</p> <p>IP class</p>	<p>Length (base): 470 mm (18.5 in.)</p> <p>Length (head): 585 mm (23 in.)</p> <p>Width (base): 492 mm (19.4 in.)</p> <p>Width (head): 458 mm (18 in.)</p> <p>Height (head straight up): 805 mm (31.6 in.)</p> <p>Height (maximum): 821 mm (32.3 in.)</p> <p>52 kg (114 lbs.)</p> <p>Aluminium, Steel, Plastic PA6.6</p> <p>IP65</p>
	Installation	<p>Mounting points</p> <p>Orientation</p> <p>Safety features</p>	<p>Four quarter-turn locking points</p> <p>Any</p> <p>Minimum distance to combustible materials: 0.3mtr (11 In.)</p> <p>Minimum distance to illuminated surfaces: 0.3mtr (11 In.)</p>
	Thermal	<p>Temperature range</p> <p>Humidity</p> <p>Cooling</p>	<p>-10°C - 40°C (14°F - 104°F)</p> <p>98%</p> <p>Active</p>
	Connections	<p>AC power input</p> <p>DMX data in/out</p>	<p>Neutrik true1 power input connector</p> <p>IP65 Neutrik HD locking XLR 5-pin cable, 0.2m (7.8 in)</p>
	Approvals and Certifications	<p>EMC Directive</p> <p>Low Voltage Directive</p> <p>RoHS2 Directive</p>	<p>2004/108/EC</p> <p>EN 55103-1, EN 55103-2, EN61000-3-2, EN61000-3-3</p> <p>2006/95/EC</p> <p>EN 60598-2-17, EN60598-1</p> <p>2011/65/EU</p>
	Included Items	<p>Included items</p>	<p>Two Omega Clamps with 1/4-turn fasteners</p> <p>2 mtrs. Power Cable with Neutrik true1 power connector</p> <p>User manual</p>
	Fixtures and Accessories	<p>Fixtures</p> <p>Cables</p> <p>Flightcase</p>	<p>Order no: 80021002 - G-Spot Moving Head in cardboard box</p> <p>Order no: 80021004 - G-Spot Moving Head in 1-unit flightcase</p> <p>Order no: 83062011 - SGM USB uploader cable</p> <p>Order no: 07860040 - 2m power cable with Neutrik TRUE1</p> <p>Order no: 82051001 - Single Flightcase G-Spot</p>

*(Figure provided by manufacturer and obtained under manufacturer's test conditions)